



OtN Series 3000

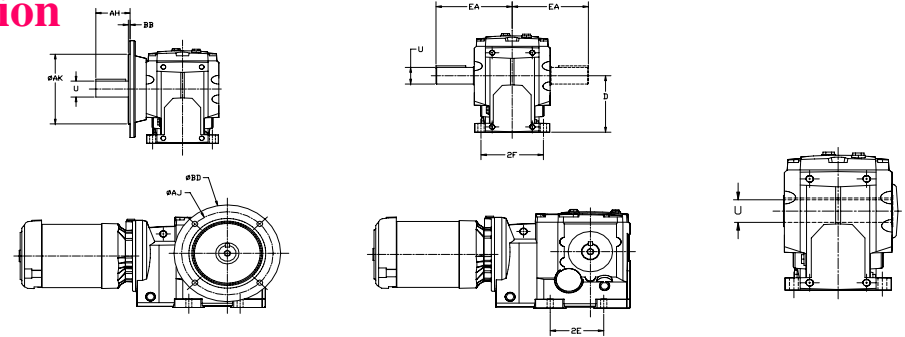
Competitive Facts At a Glance



Capacity/Mounting Dimension Summary Competition

Manu.	Browning®	SEW®		Dodge®	Falk®	Nord®	David Brown®
Name	OtN 3000 "S2"	Type "K" Pre "7"	Type "K" "7" Series	Quantis® "RHB"	Ultramite® "UB"	SK Helical Bevel	Series K
Frame Sizes	3243	K46	K47	48	04	92672/9012.1	0432
	3363	K66	K67	68	06	92772/9022.1	0632
	3473	K76	K77	88	07	9032.1	0732
	3583	K86	K87	108	08	9042.1	0832

 Dimensionally the same but competitor's product is deficient in torque capacity.



Flanged

Footed

Shaft Mount

OtN 3000 "Interchange" Options

OtN 3000 Frame	Solid Shaft						Finished Bore	
	Footed			Flanged			SM	
	33G	33D	33X	53G	35D	53C	35C	33C
32	S2	S2	S2	S2	S2	S2	S2	S2
33	S2	S2	S2	S2	S2	S2	S2	S2
34	S2	S2	S2	S2	S2	S2	S2	S2
35	S2	S2	S2	S2	S2	S2	S2	S2

S2 "Interchange" design as standard # Shaft Mount

Series 3000 Flange Summary

Bold = New with Series 3000

GearFrame	Flange Mount				
	Millimeters				
	200	250	300	350	400
32	5	6	-	-	-
33	-	5	6	-	-
34	-	-	5	6	-
35	-	-	-	5	6

Key Browning Competitive Advantages

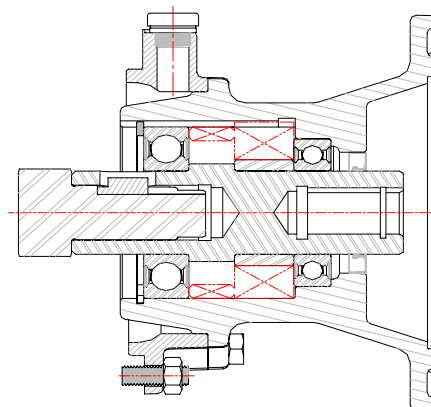
Features

- All gears factory filled with synthetic oil
- Motors of gearmotors use modular connection to gear
- Non-XP 3 phase motors use AllGuard Insulation
- Inverter duty motors meet NEMA MG1 Part 31
- Normally closed breathers standard

Benefits

- Superior lubrication
- Less cost and downtime
- Higher dielectric strength
- 3 year motor warranty
- Reduces maintenance

The New Quill Style C-Face



- Has a liner to prevent fretting with motor shaft.
- Eliminates coupling wear and replacement.
- Shortens overall length.
- Allows use with DC and Servo motors with like diameters.
- Can be equipped with backstop.
- Transmits torque through metal key and keyway.





OtN SERIES 3000 vs 2000 Transition Facts



Replacement Guide

2000	Ratio Band	3000	Added Info
2203	12.5 to 100	3243	MT, SM
	125 to 160	3243	NR
2303	12.5 to 90	3363	MT, SM
2305	100 to 160	3363	MT, LS
2305	100 to 500	3365	MT, SM
2403	12.5 to 125	3473	MT, SM
2405	140 to 160	3473	MT, SM, LS
2405	100 to 500	3475	MT, SM
2406	600 to 4000	3475	MT, SM, LS
2503	12.5 to 125	3583	MT, SM
2505	140 to 160	3583	MT, LS, NR
2505	180 to 710	3585	MT, SM
2506	800 to 5600	3585	MT, SM, LS

Comment Key

MT = More Torque Capacity
 SM = Same critical mounting dimensions**
 LS = Less Gear Stages
 NR = New Ratios

See tables at right based on required mounting

Replacement Footprint & Shaft Details

Footed Shaft Output

Frame	Housing Type	D	2E	2F	EA	U
22	S1	4.41	5.12	4.72	5.45	1.250
32	S2 *	4.41	5.12	4.72	5.31	1.250
23	S1	4.92	6.69	6.10	7.12	1.500
33	S1	4.92	6.69	6.10	7.13	1.500
24	S1	6.30	9.06	7.68	8.46	1.750
34	S1	6.30	9.06	7.68	8.46	1.750
25	S1	7.87	11.02	9.06	10.7	2.375
35	S1	7.87	11.02	9.06	10.6	2.375

Flanged Shaft Output

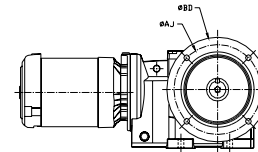
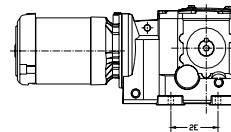
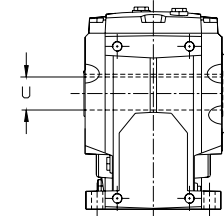
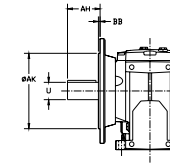
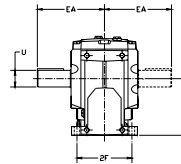
Frame	Housing Type	U	AH	AK	AJ	BD
22	S1	1.250	1.75	5.118	6.50	7.87
32	S1	1.250	1.75	5.118	6.50	7.87
23	S1	1.500	2.42	7.087	8.46	9.84
33	S1	1.500	2.28	7.087	8.46	9.84
24	S1	1.750	3.50	9.055	10.43	11.80
34	S1	1.750	3.28	9.055	10.43	11.80
25	S1	2.375	4.72	9.842	11.80	13.77
35	S2*	2.375	4.72	9.842	11.80	13.77

Finish Bore 33C Shaft Mt

Frame	Housing Type	U
22	S1	1.375
32	S2	1.375
23	S1	1.4375
33	S2 **	1.4375
24	S1	1.875
34	S2 **	1.875
25	S1	2.375
35	S2	2.375

* S2 shown interchanges with Series 2000 frame and SEW product
 Minor differences will not prevent replacement with Series 2000

** uses 33B taper bush design



Enhancements of Series 3000

- Generally 30-40% more torque capacity per box size delivers longer replacement life through higher S.F.
- Design offers "33B" taper bushed option using TorqTaper® Plus bushings with stabilizer ring and metric bushings.
- C-Face inputs are quill designs, eliminating couplings and have non-metallic liner to eliminate fretting.
- Most 3 phase gear motors are suitable for inverter use.
- C-Face reducers have added breather locations.
- Units shipped with output shaft key.
- Now offer twice the optional flange sizes/frame size.
- More ratios achieved with less stages of gearing.
- Top mount designs available beginning at 33 to 35.
- Backstop option available on C-Face reducers.
- All input oil seals on high speed shafts more accessible

Series 3000 Capacity Increases

Size	31.5:1 @ 1750 RPM		71:1 @ 1750 RPM	
	In Lbs	% Increase	In Lbs	% Increase
22	3091		3107	
32	3848	24%	3936	27%
23	5100		5200	
33	7137	40%	7046	36%
24	9900		10000	
34	13447	36%	14039	40%
25	19500		20000	
35	21890	12%	22753	14%

Important Notes

- Face mounted Series 3000 34C, 43C and 44C designs are not the same dimensions as their Series 2000 counterparts.
- Flanged finished bore Frame 33 and 34 Series 3000 have different shaft bores than their Series 2000 counterparts.
- For technical assistance contact:
 ✓ Application Engineering
 at 1-800-626-2093